

Frozen Frozen granita dispenser with 1 bowl, electronic control

ITEM # _____

MODEL # _____

NAME # _____

SIS # _____

AIA # _____


562509 (IPRO1ER290)

 Frozen Granita Dispenser
 with 1X11 l insulated bowl,
 electronic control, R290

Short Form Specification

Item No. _____

Frozen granita dispenser with 1 bowl; the ITANK™ Technology prevents ice accumulation on the outer side of the bowl and the bowl shape allows a natural mixing action to ensure an optimum consistency of the product. Customizable lid merchandiser and back graphic. Electronic control system and touch screen keypad. Sliding drip tray.

Main Features

- Ideal for the production of slush.
- The insulated tank guarantees higher cooling efficiency and lower effect of the external temperature on product's preparation and maintenance time reducing condense and draining; it is the best solution in hot climate conditions.
- The ITANK™ Technology prevents ice accumulation on the outer side of the bowl, reducing condensation and increasing the cooling power of the machine.
- Bowl shape allows a natural mixing action to ensure an optimum consistency of the product.
- Customizable lid merchandiser and back graphic.
- Daily and weekly machine programming functionality.

Construction

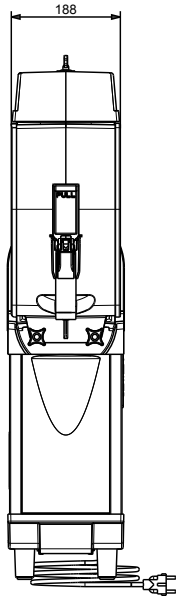
- Electronic control system and touch screen keypad.
- Sliding drip tray.

Sustainability

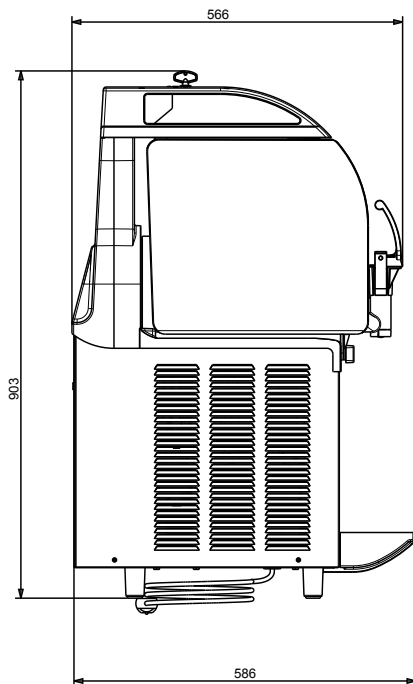
- When the product reaches the right consistency, an automatic stand-by mode activates in order to save energy and reduce CO2 emissions.


APPROVAL: _____

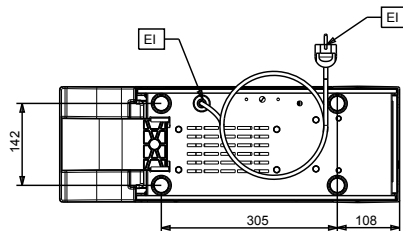
Front



Side



Top



Electric

Supply voltage: 220-240 V/1 ph/50 Hz
Electrical power, max: 0.44 kW

Key Information:

Net weight: 39 kg

Sustainability

Refrigerant type: R290
Refrigerant weight (unit 1): 90 g